



INSTALLATION GUIDE

Model CPS-3D480 & CPS-3Y480

WARNING:

- Opening the Powergy CPS without prior permission from Thielsch, will void its warranty coverage.
- Apply the CPS only to 3-phase, 480Vac, 50/60Hz, Delta or Wye power systems.
- The CPS must be mounted vertically, in a dry location, using the four mounting holes.
- The CPS must be installed by a licensed electrician, in compliance with national and local codes.
- **IMPORTANT:** THIS UNIT MUST BE CONNECTED DIRECTLY TO A DEDICATED CIRCUIT BREAKER. DO NOT, UNDER ANY CIRCUMSTANCES, HARD-WIRE INSTALL WITHOUT A DEDICATED BREAKER.

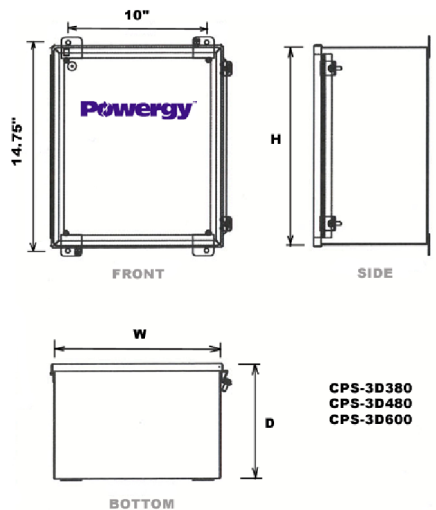
YOU WILL NEED:

1. A circuit breaker box with a 3-pole 50 Amp circuit breaker;
OR
A fuse disconnect box with three 50 Amp fuses.
NOTE: Above items can be conveniently purchased through Thielsch.
2. Appropriate tools, wires and conduits.
3. A licensed electrician who is well versed with the national and local electrical codes.

MOUNTING THE DEVICES:

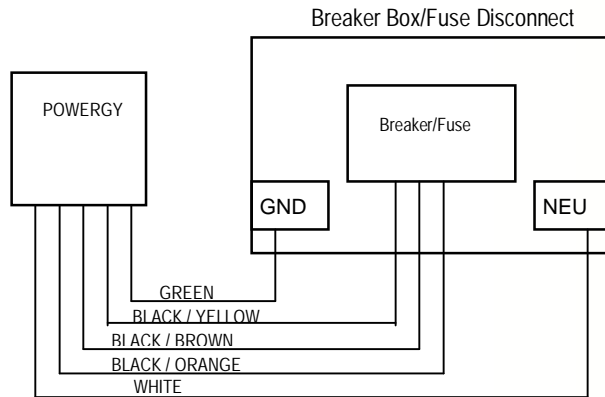
1. Inspect the exterior of the CPS to ensure that it has not been damaged in transit. Ensure that the front label/overlay is still intact, that the warranty seals are intact, and that the cables protruding from the unit have not been damaged.
2. Mount the CPS at the main entrance panel, main substation, or main MCC.
3. Ensure that the CPS is on a clear and dry wall.
4. Mount the breaker box/fuse disconnect near the CPS. When mounted, the phase indication lights should be visible.

MOUNTING HOLES POSITION:



INSTALL PROCEDURES:

1. If possible, de-energize the power panel/breaker box/fuse disconnect prior to connecting all the devices.
2. According to the CODES, run wires and conduit between the main entrance panel, main substation, or main MCC. Run conduit between the breaker box/fuse disconnect and the CPS. Feed the wires from the CPS through the conduit into the breaker box/fuse disconnect.
3. DO NOT UNDER ANY CONDITIONS SPLICE NEW CABLE ONTO THE CPS, OR OPEN THE CPS, TO EXTEND THE LENGTH OF THE CABLE PROVIDED.



Note:

1. Phase sequencing not required
2. Ignore Neutral wire for Delta model.

TEST PROCEDURES:

1. Double check if all connections are correct.
2. If so, close the circuit breaker or fuse disconnect.
3. Check if all three lights on the CPS are on:
YES - Proceed to next step.
NO - De-energize the CPS and check if cables are correctly connected. Check the ground cable connection. If problem persists, call the distributor or Thielsch for technical assistance.
4. Use a clamp-on Ammeter to check if all line currents are about 37A (+/- 2A). Contact the distributor or Thielsch if the current reading is different.
6. Put this installation guide near the unit, for future use.

WARRANTY:

- Remember to fill and mail out the Warranty Registration Card within 10 days of installation.
- Powergy Clean Power Systems provide the original purchaser a 3-year limited product warranty. Refer to the product warranty sheet for more details.



195 FRANCES AVE.
CRANSTON, RI 02910
1-888-8-POWERGY
WWW.POWERGY.COM