



INSTALLATION GUIDE

For EDM Machine Tools

**Model CPS-3Y208/240 & CPS-3D208/240**

**WARNING:**

- Opening the Powergy CPS without prior permission from Thielsch, will void its warranty coverage.
- Apply the CPS only to 3-phase, 208 or 240Vac, 50/60Hz, Wye or Delta power systems.
- The CPS must be mounted vertically, in a dry location, using the four mounting holes.
- The CPS must be installed by a licensed electrician, in compliance with national and local codes.
- **IMPORTANT:** THIS UNIT MUST BE CONNECTED DIRECTLY TO A DEDICATED CIRCUIT BREAKER. DO NOT, UNDER ANY CIRCUMSTANCES, HARD-WIRE INSTALL WITHOUT A DEDICATED BREAKER.

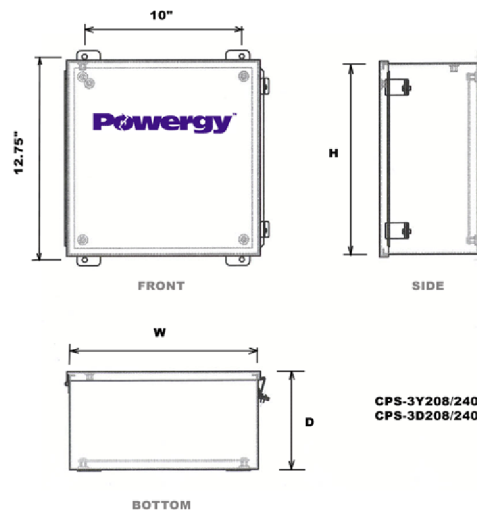
**YOU WILL NEED:**

1. A circuit breaker box with a 3-pole 30 Amp circuit breaker;  
**OR**  
A fuse disconnect box with three 30 Amp fuses.  
**NOTE:** Above items can be conveniently purchased through Thielsch.
2. Appropriate tools, wires and conduits.
3. A licensed electrician who is well versed with the national and local electrical codes.

**MOUNTING THE DEVICES:**

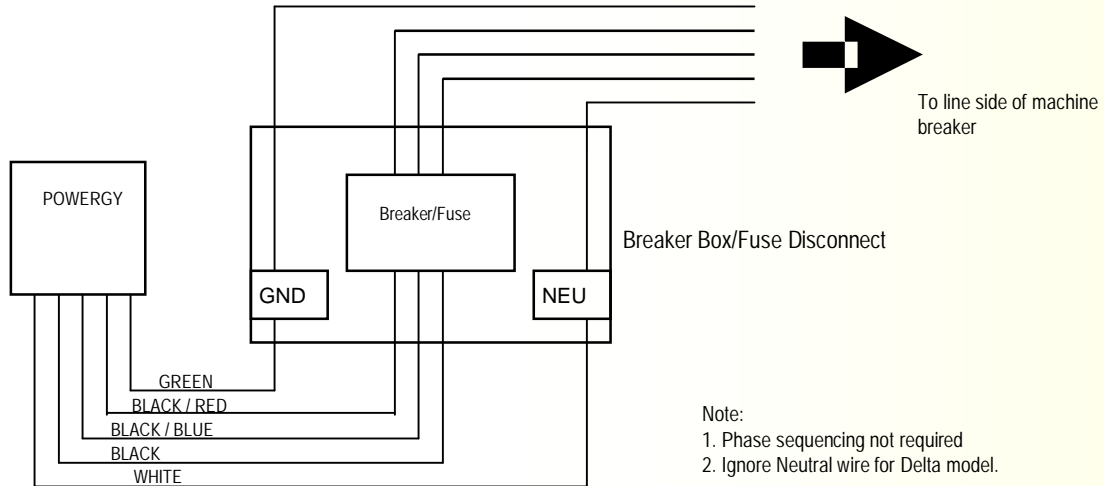
1. Inspect the exterior of the CPS to ensure that it has not been damaged in transit. Ensure that the front label/overlay is still intact, that the warranty seals are intact, and that the cables protruding from the unit have not been damaged.
2. Locate the EDM/Laser machine breaker. Identify sufficient space near the machine breaker to locate the breaker box/fuse disconnect and the CPS.
3. Ensure that the CPS is on a clear and dry wall.
4. Mount the breaker box/fuse disconnect and the CPS. When mounted, the phase indication lights should be visible.

**MOUNTING HOLES POSITION:**



### INSTALL PROCEDURES:

1. If possible, de-energize the power panel/breaker box/fuse disconnect prior to connecting all the devices.
2. According to the CODES, run wires and conduit between the machine breaker (line side) and the breaker box/fuse disconnect. Run conduit between the breaker box/fuse disconnect and the CPS. Feed the wires from the CPS through the conduit into the breaker box/fuse disconnect.
3. DO NOT UNDER ANY CONDITIONS SPLICE NEW CABLE ONTO THE CPS, OR OPEN THE CPS, TO EXTEND THE LENGTH OF THE CABLE PROVIDED.



### TEST PROCEDURES:

1. Double check if all connections are correct.
2. If so, close the circuit breaker or fuse disconnect.
3. Check if all three lights on the CPS are on:  
YES - Proceed to next step.  
NO - De-energize the CPS and check if cables are correctly connected. Check the ground cable connection. If problem persists, call the distributor or Thielsch for technical assistance.
4. Use a clamp-on Ammeter to check if all line currents are about 14A (+/- 1A). Contact the distributor or Thielsch if the current reading is different.
6. Put this installation guide near the unit, for future use.

#### WARRANTY:

- Remember to fill and mail out the Warranty Registration Card within 10 days of installation.
- Powergy Clean Power Systems provide the original purchaser a 3-year limited product warranty. Refer to the product warranty sheet for more details.



195 FRANCES AVE.  
CRANSTON, RI 02910  
1-888-8-POWERGY  
WWW.POWERGY.COM